

PWCA-120N

Waveguide to Coaxial Adapter

WR75 to N Female,FBP120 Square



Electrical

Frequency Range	9.84-15 GHz	Waveguide Size	WR75/R120
Impedance	50 ohm	Flange Type	UBR120/FBP120,Square
VSWR	1.2 Max	Coax Connector	N Female
Average Power	150 Watts	Body Geometry	Right Angle

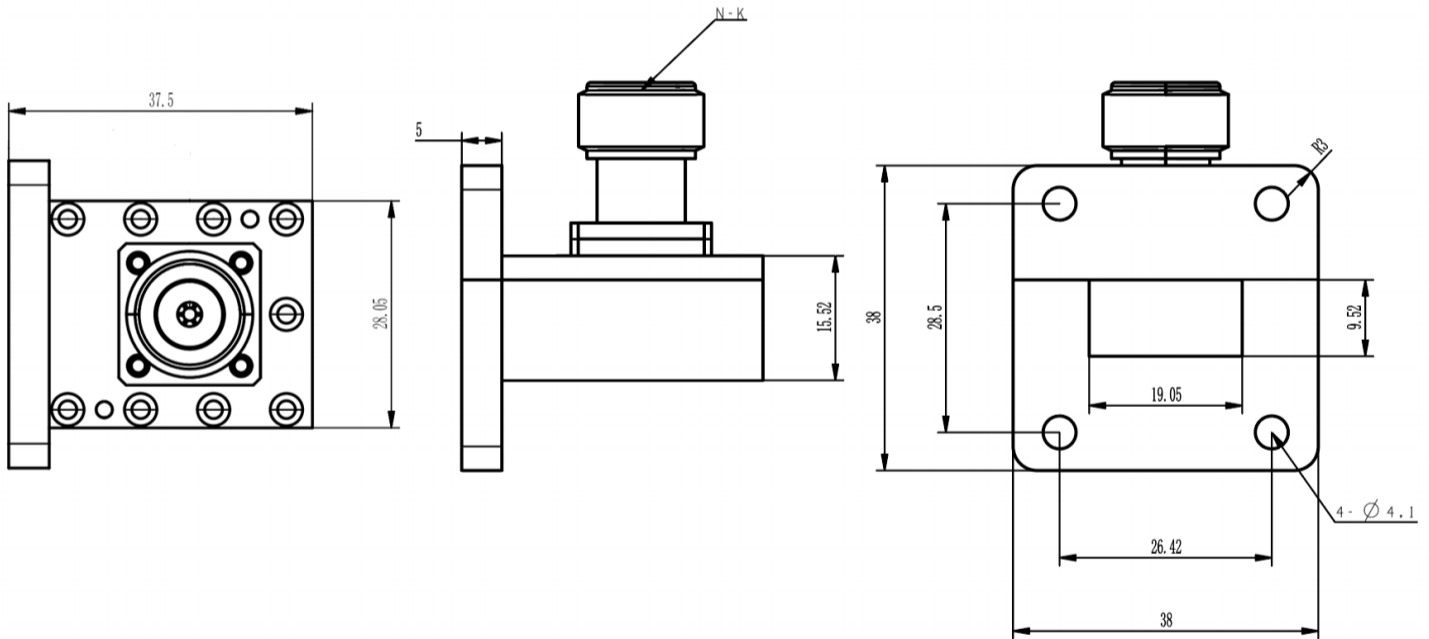
Configuration

Materials

Waveguide Body	Aluminum, black or grey painted	Operating Temp	-40°C to 70°C
Connector Body	Passivated stainless steel	Connector Interface	MIL-STD-348
Center Contact	Gold plated beryllium copper	RoHS	Compliant

Mechanical & Environmental

Dimensions(mm) Tolerance±1%



Typical Test Data

